



ANSI 150/JIS 10K/PN16



ANSI 300/JIS 20K

法蘭端口閘閥 | Flanged End Gate Valve

G6

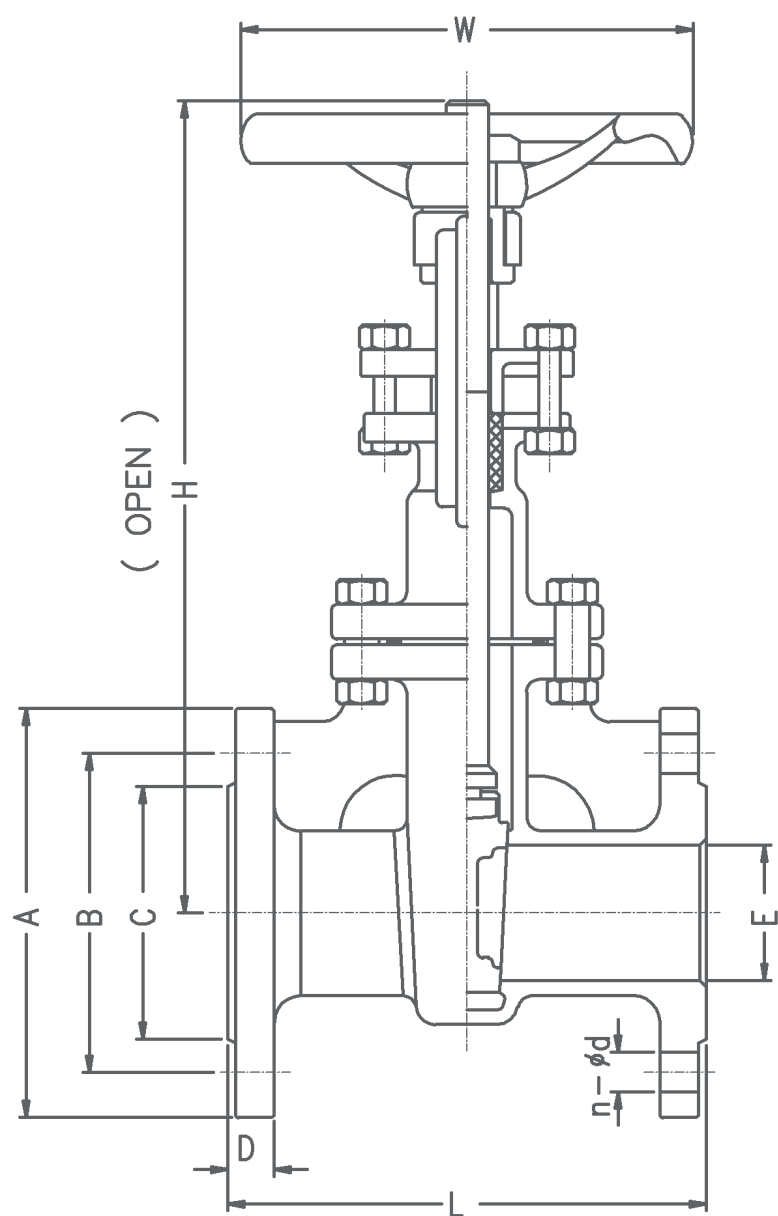
產品特點 Feature

壓力等級：ANSI 150/300, PN16, JIS 10K/20K
 規格：1/2"~12"
 昇桿式閘閥, 彈性閘板

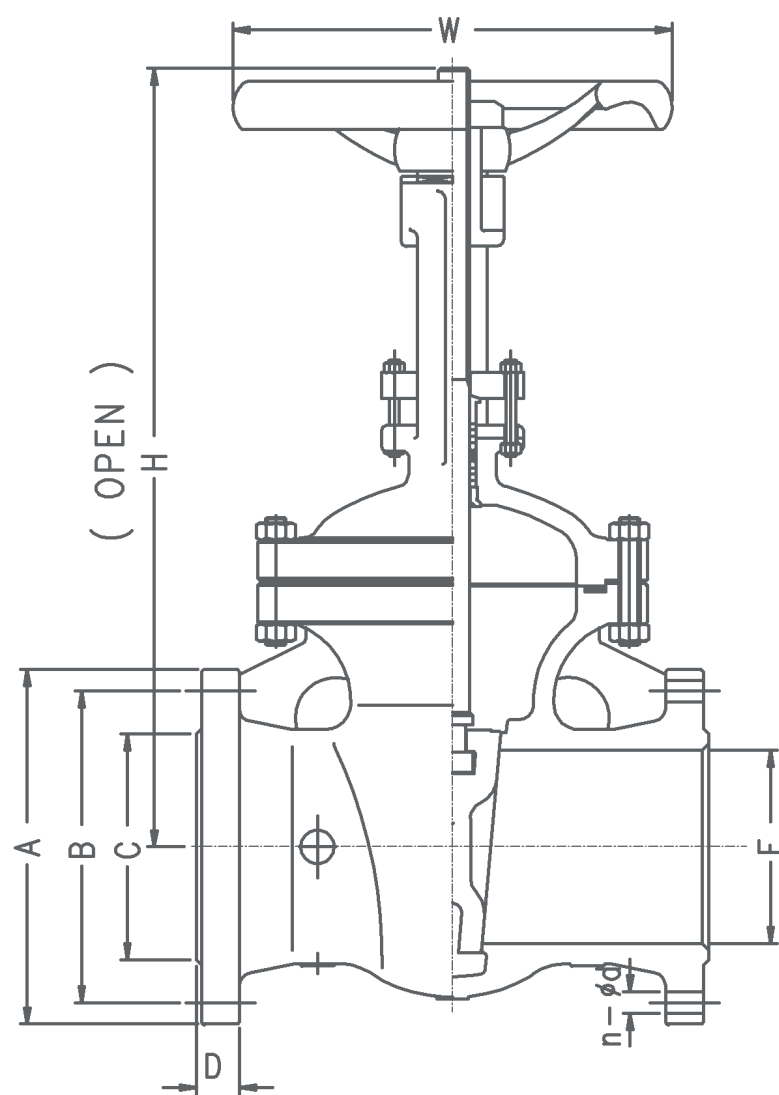
可依據客戶要求, 提供特殊材質

Rating: ANSI 150/300, PN16, JIS 10K/20K
 Size: 1/2"~12"
 Bolted Bonnet, Outside Screw and Yoke,
 Flexible Wedge, Rising Stem
 Special Alloy is also available upon request.

產品規格 Specification



ANSI 150/JIS 10K/PN10



ANSI 300/JIS 20K

Item	Parts Name	零件名稱	Material 材料	
			Stainless Steel 不鏽鋼	Carbon Steel 碳鋼
1	Body	閥體	A351-CF8M/CF8	A216-WCB
2	Bonnet	閥蓋	A351-CF8M/CF8	A216-WCB
3	Stem	閥桿	SS316	SS410
4	Disc	閥瓣	A351-CF8M/CF8	A216-WCB
5	Gland Flange	格蘭	A351-CF8M/CF8	A216-WCB
6	Gland Packing	格蘭迫緊	PTFE (Option: Graphite)	PTFE (Option: Graphite)
7	Handwheel	手輪	Ductile Iron	Ductile Iron
8	Body/Bonnet Gasket	墊片	PTFE (Option: Graphite)	PTFE (Option: Graphite)
9	Body/Bonnet Bolting	閥蓋螺栓/螺帽	ASTM A193 B8/A194 8	ASTM A193B7/A194 2H
10	Gland Bolt/Nut	格蘭螺栓/螺帽	ASTM A193 B8/A194 8	ASTM A576 1045 /A194 2H
11	Yoke Sleeve	閥桿螺帽	Bronze /Ductile Iron	Bronze/Ductile Iron